

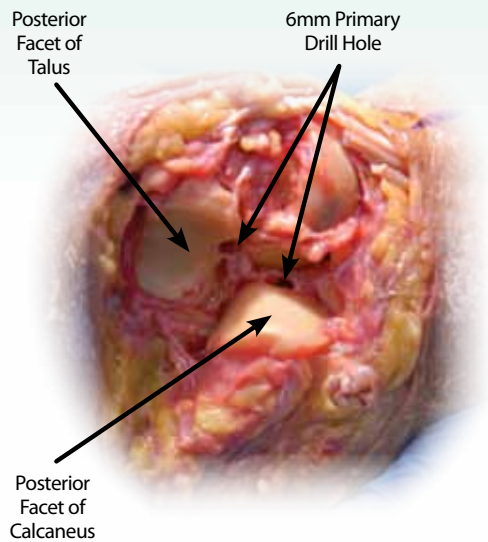


INBONE® Total Ankle and the Subtalar Joint

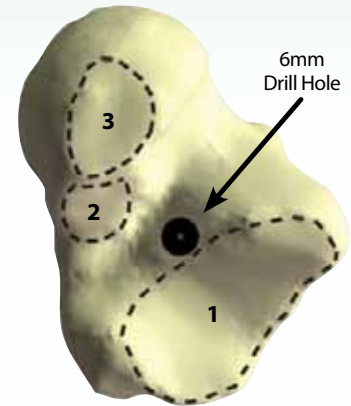
Q: Does installation of the INBONE® Total Ankle violate the subtalar joint?

A: No. The perception comes from drilling a 6mm intermeduallary guidance hole through the bottom of the calcaneus; however, when properly aligned, this small hole is drilled ANTERIOR and MEDIAL to the posterior facet of the subtalar joint.

“Seeing is believing”, which is why at the end of every cadaveric training session we ask participating surgeons to dissect the subtalar joint. Through this exercise, the surgeon can see for themselves the location of the hole.



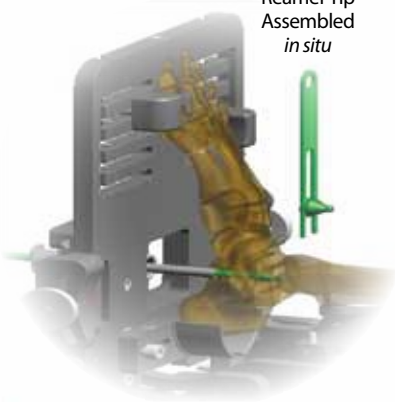
Dissected Subtalar Joint



Articular Surfaces of the Subtalar Joint

- 1 - Posterior Facet
- 2 - Middle Facet
- 3 - Anterior Facet

Reamer Tip
Assembled
in situ



NOTE: Often there is the additional misconception that one must ream the tibia through the bottom of the calcaneus/talus. In actuality the tibial reamer is assembled within the resected joint space and reams only the tibia.